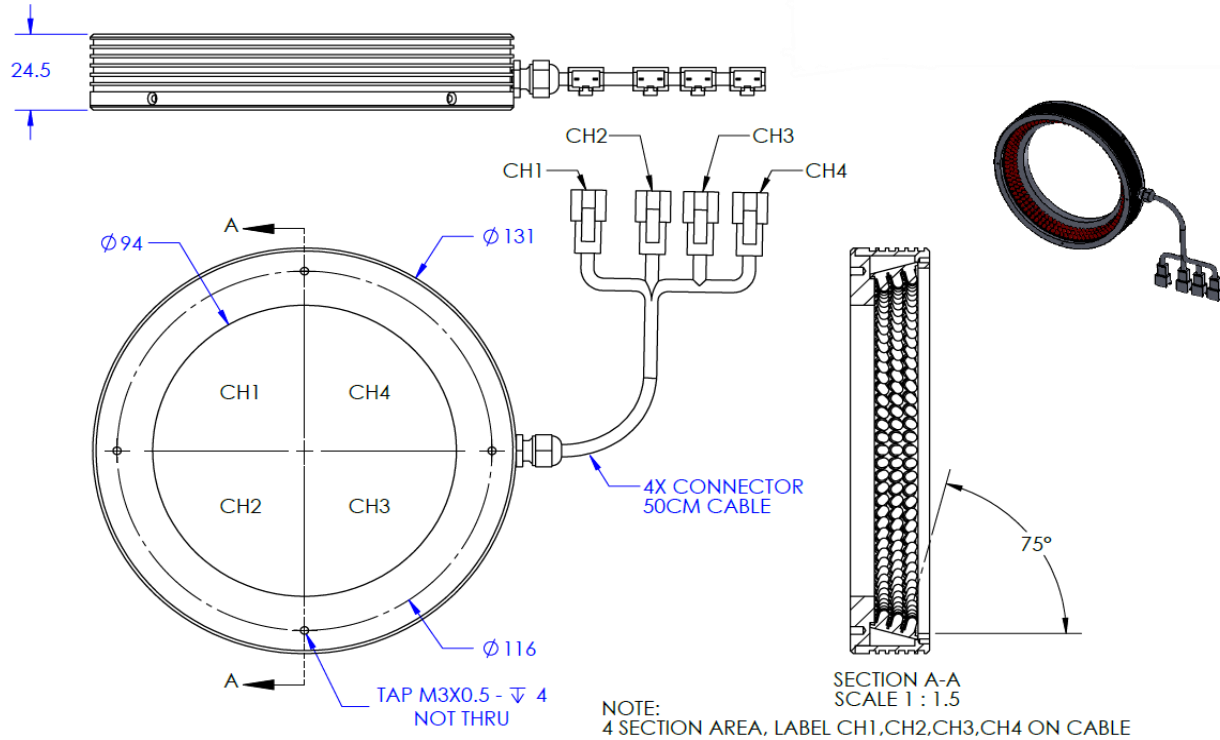


# ILLUMINATOR DATA

LTZZO130-75-3-W-24V-CH4

Lighting Dimension



Mechanical Information	
Casing Material	Aluminium
Storage Temperature Range	0 - 45°C
Storage Humidity Range	20 - 85%
Weight	265 g
Length / Outer Diameter	131 mm
Width / Inner Diameter	94 mm
Thickness / Height	24.5 mm

# ILLUMINATOR DATA

## LTZZO130-75-3-W-24V-CH4

Lighting Information																																
Part Number	LTZZO130-75-3-W-24V-CH4																															
Channel	CH1	CH2			CH3			CH4																								
LED Color	WHITE																															
Wavelength	*Refer to the Chromaticity Table below																															
Working Distance	5 mm	10 mm	15 mm	170 mm	181 mm	192 mm	170 mm	181 mm	192 mm	170 mm	181 mm	192 mm																				
Intensity (±15%)	39419.2 lx	41464 lx	43878 lx	47712 lx	51546 lx	50552 lx	44020 lx	52256 lx	53250 lx	38908 lx	49416 lx	45866 lx																				
Illumination (number of row)	1																															
Illumination Active Area	Active Length / Outer Dia.						116 mm																									
	Active Width / Inner Dia.						94 mm																									
Emission angle	75																															
Eye Safety Class ( IEC62471 )	EXEMPT																															
Chromaticity Table For White colour only	<table border="1"> <tbody> <tr> <td>X</td> <td>0.296</td> <td>0.287</td> <td>0.307</td> <td>0.311</td> <td>X</td> <td>0.311</td> <td>0.307</td> <td>0.33</td> <td>0.33</td> </tr> <tr> <td>Y</td> <td>0.276</td> <td>0.295</td> <td>0.315</td> <td>0.294</td> <td>Y</td> <td>0.294</td> <td>0.315</td> <td>0.339</td> <td>0.318</td> </tr> </tbody> </table>												X	0.296	0.287	0.307	0.311	X	0.311	0.307	0.33	0.33	Y	0.276	0.295	0.315	0.294	Y	0.294	0.315	0.339	0.318
X	0.296	0.287	0.307	0.311	X	0.311	0.307	0.33	0.33																							
Y	0.276	0.295	0.315	0.294	Y	0.294	0.315	0.339	0.318																							

Electrical Information				
Rated Constant Voltage	24V±2%			
Rated Constant Current	135 mA	135 mA	135 mA	135 mA
Power Consumption	3.24 W	3.24 W	3.24 W	3.24 W
Casing temperature, After 60 minutes operation	52.3 °C			
Max. continous current of RED, GREEN & BLUE LEDs on at the same time	*It is not recommended to turn on Red, Green and Blue colour at the same time. Refer to Maximum Simultaneous Current Output section in the last page for maximum current that can be supplied for each colour. Failure in following this may results in damaging the lighting.			


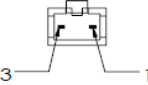
Strobe Mode Specification				
**Normal Strobe Voltage	24 V			
**Normal Strobe Current	135 mA	135 mA	135 mA	135 mA
Overdrive Voltage Range	Min: 36 V Max: 48 V	Min: 36 V Max: 48 V	Min: 36 V Max: 48 V	Min: 36 V Max: 48 V
Overdrive Current Range	Min: 2.09 A Max: 3.69 A	Min: 2.09 A Max: 3.69 A	Min: 2.09 A Max: 3.69 A	Min: 2.09 A Max: 3.69 A
Max. pulse current of RED, GREEN & BLUE LEDs on at the same time	*It is not recommended to turn on Red, Green and Blue colour at the same time. Refer to Maximum Simultaneous Current Output section in the last page for maximum current that can be supplied for each colour. Failure in following this may results in damaging the lighting.			
Recommended Overdrive Voltage	36 V			
***Max. Trigger Pulse Duration	10 msec			
***Max. Duty Cycle	10%			

\*\*Normal strobe means the lighting is operated using the rated power. Overdrive means the power supplied to the lighting exceeded the rated power.

\*\*\*Overdrive condition must not exceed the max. trigger pulse duration and max. duty cycle. Failure in following this may results in damaging the lighting.

# ILLUMINATOR DATA

## LTZZ0130-75-3-W-24V-CH4

Connection Information			
Connector Type (Default)	JST SMR-03V		
Cable Length	50 cm		
Pin Configuration 	Pin	Signal	Cable Colour
	1	LED +	Red
	2	N.C	-
	3	LED -	White
			

Additional Information	
Additional Cooling Method	Attached to machine part for better heat dissipation
Intensity Controller Selection	SD, ST, ANG, LC, SDA, SDP series
CE Conformity	YES
RoHS Compliance	YES

Application	
Illumination Type	Diffused Illumination
Application Use	Character Recognition on Shining Surface, Lead Inspection



# ILLUMINATOR DATA

**LTZZ0130-75-3-W-24V-CH4**

Lighting Pattern																																											
Working Distance	For further details please contact us																																										
Display and Image																																											
Data Results	<table border="1"> <thead> <tr> <th>Horizontal</th> <th>Meas.(mm)</th> </tr> </thead> <tbody> <tr><td>90%</td><td></td></tr> <tr><td>80%</td><td></td></tr> <tr><td>70%</td><td></td></tr> <tr><td>60%</td><td></td></tr> <tr><td>50%</td><td></td></tr> <tr><td>40%</td><td></td></tr> <tr><td>30%</td><td></td></tr> <tr><td>20%</td><td></td></tr> <tr><td>10%</td><td></td></tr> </tbody> </table>	Horizontal	Meas.(mm)	90%		80%		70%		60%		50%		40%		30%		20%		10%		<table border="1"> <thead> <tr> <th>Vertical</th> <th>Meas.(mm)</th> </tr> </thead> <tbody> <tr><td>90%</td><td></td></tr> <tr><td>80%</td><td></td></tr> <tr><td>70%</td><td></td></tr> <tr><td>60%</td><td></td></tr> <tr><td>50%</td><td></td></tr> <tr><td>40%</td><td></td></tr> <tr><td>30%</td><td></td></tr> <tr><td>20%</td><td></td></tr> <tr><td>10%</td><td></td></tr> </tbody> </table>	Vertical	Meas.(mm)	90%		80%		70%		60%		50%		40%		30%		20%		10%		
Horizontal	Meas.(mm)																																										
90%																																											
80%																																											
70%																																											
60%																																											
50%																																											
40%																																											
30%																																											
20%																																											
10%																																											
Vertical	Meas.(mm)																																										
90%																																											
80%																																											
70%																																											
60%																																											
50%																																											
40%																																											
30%																																											
20%																																											
10%																																											